

Technical data sheet

Product features



Gas fryer 15l on cabinet

Model	SAP Code	00019408
--------------	-----------------	----------

– Basket size [mm]: 280 x 295

SAP Code	00019408	Net Height [mm]	1060
Net Width [mm]	400	Net Weight [kg]	44.00
Net Depth [mm]	730	Basket size [mm]	280 x 295

Technical data sheet



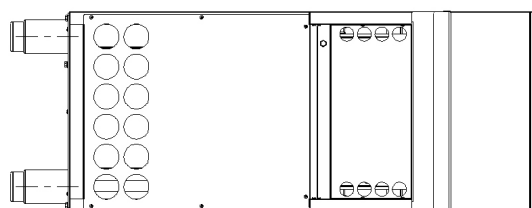
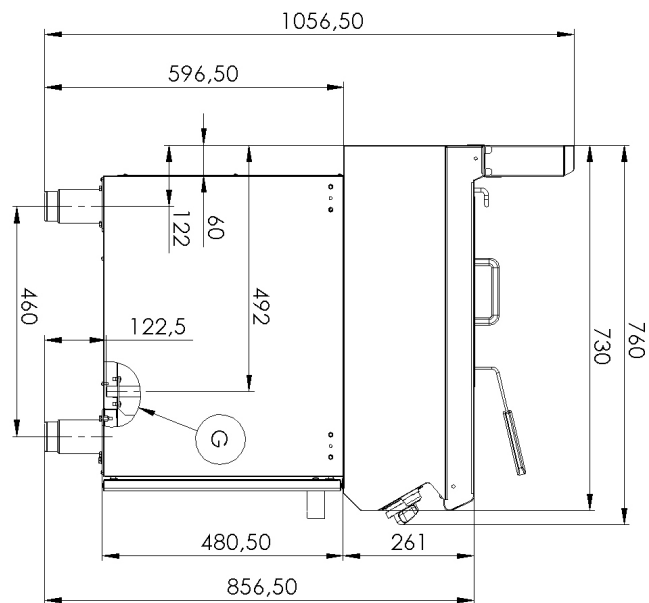
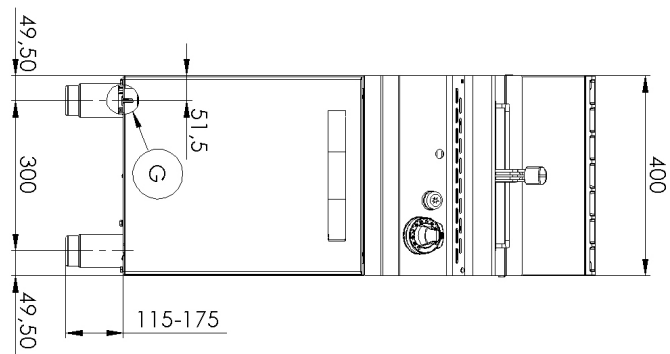
Technical drawing

Gas fryer 15l on cabinet

Model

SAP Code

00019408



Technical data sheet



Technical parameters

Gas fryer 15l on cabinet

Model

SAP Code

00019408

1. SAP Code:

00019408

7. Gross depth [mm]:

820

2. Net Width [mm]:

400

8. Gross Height [mm]:

1175

3. Net Depth [mm]:

730

9. Gross Weight [kg]:

52.00

4. Net Height [mm]:

1060

10. Device type:

Gas unit

5. Net Weight [kg]:

44.00

11. Basket size [mm]:

280 x 295

6. Gross Width [mm]:

460

12. Connection to a ball valve:

1/2